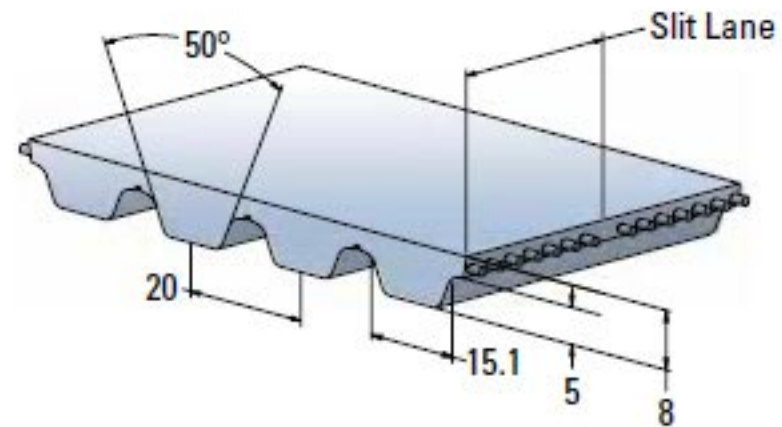


ATL 20



Width Tolerances

Width	AT5	ATL5	AT10	ATL10, ATL10-HF	AT20	ATL20
Up to 50 mm	±0.5 mm	±0.5 mm	±0.75 mm	± 1.0 mm	± 1.0 mm	± 2.0 mm
> 50-100 mm	±0.75 mm	±0.75 mm	± 1.0 mm	±1.5 mm	± 1.5 mm	± 2.0 mm
> 100-150 mm	N/A	±0.75 mm	± 1.0 mm	± 1.5 mm	± 1.5 mm	± 2.0 mm